



## KLIXON® | 7855 Series

### 175 to 200 Amp Commercial Thermal Circuit Breaker

#### FEATURES

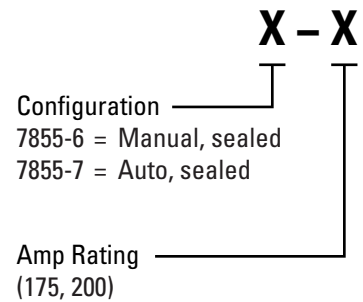
- 30VDC, 175 to 200 Amps
- Sealed assemblies, manual and automatic reset options
- Ignition protected
- 7855-6 meets CID A-A-55571/03 specifications
- 7855-7 meets CID A-A-55571/08 specifications

#### DESCRIPTION

The KLIXON® 7855 series thermal breaker are designed to meet the harshest environmental requirements. The 7855 series breakers are weatherproof for protection against moisture, dust, grease, fuel vapors and other harsh environments. The 7855 series breakers are designed to interrupt short circuits or overloads and combine trip free protection with fast response time.

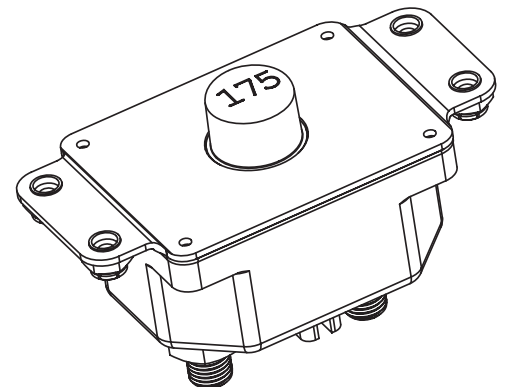
The 7855 series of breakers typical applications are protection of wire and cable of accessory circuits, military vehicles, lift gates, and recreational vehicles.

#### ORDERING INFORMATION

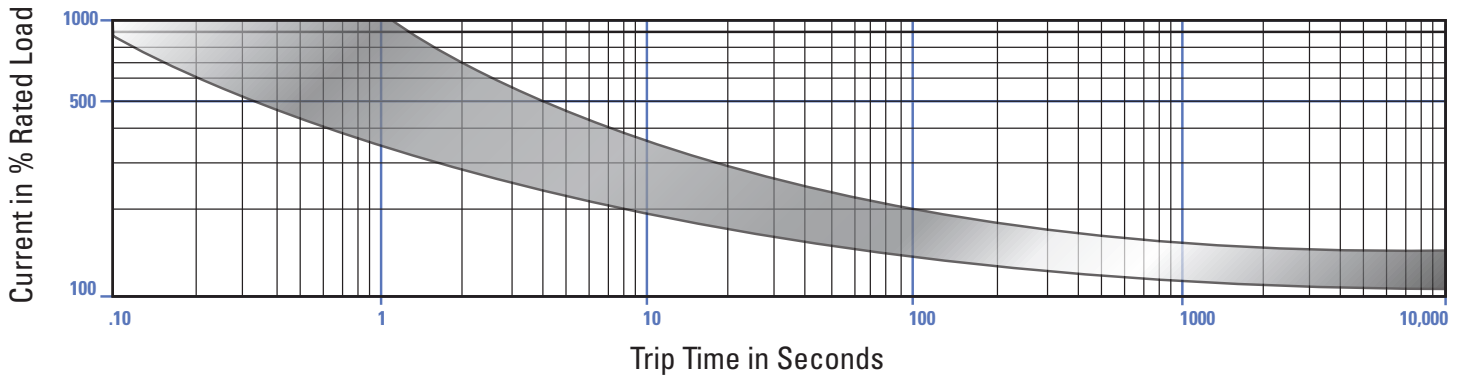


#### PERFORMANCE CHARACTERISTICS

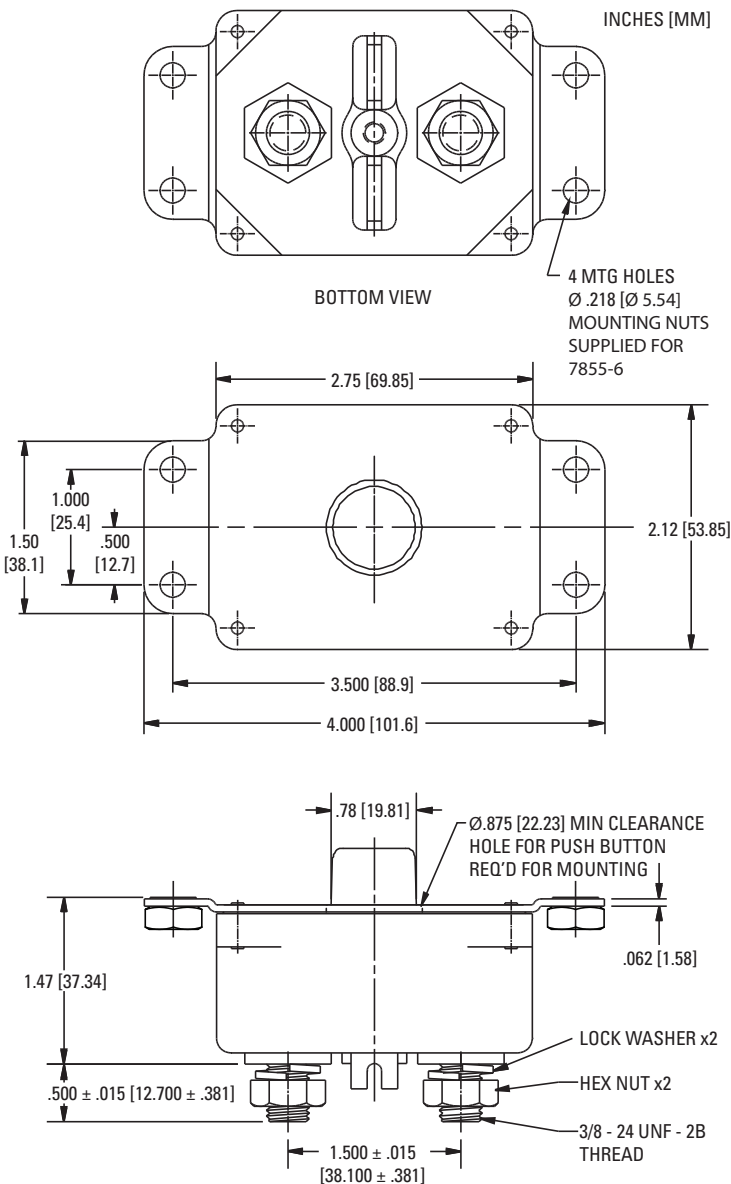
Calibration : 200% rated current, 77°F (25°C)	8 to 100 seconds
Ultimate Trip At 77°F (25°C)	Must hold 100%, Must trip 138%
Endurance	Manual 500 cycles @ 200% Automatic 2000 cycles @ 200%
Interrupt Current Capacity	Per SAE J1625, 900A
Vibration	10G MIL-STD-202 Method 204, Condition A
Dielectric Strength	MIL-STD-202, Method 301, 1500VAC min
Insulation Resistance	MIL-STD-202, Method 302, Condition B, 100 MΩ min
Weight	7855-6 : 241 grams max 7855-7 : 237 grams max



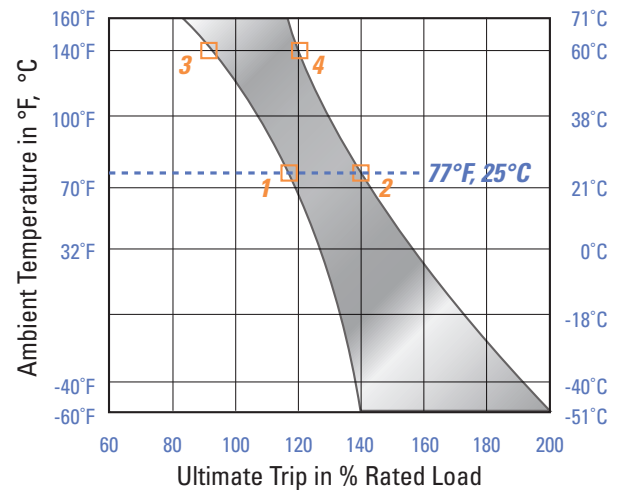
## TRIP CURVE - Approximate Time, Current Characteristics At 77°F (25°C)



## DIMENSIONS - 7855-6



## DERATING CURVE



Performance characteristics are based on room temperature (77°F, 25°C). Consult Derating curve for ambient temperatures significantly higher or lower than standard room temperature.

*Example:* At 77°F (25°C) the device is calibrated to hold at 110% of rated current (1) and trip at 138% of rated current (2). At 140°F (60°C), the same device will hold at approximately 92% of rated current (3), and trip at approximately 120% of rated current (4).



Sensata Technologies Inc.

529 Pleasant Street  
Attleboro, MA 02703, USA  
Phone: +1 508-236-3287

<http://www.sensata.com/>

Important Notice: Sensata Technologies (Sensata) reserves the right to make changes to or discontinue any product or service identified in this publication without notice. Sensata advises its customers to obtain the latest version of the relevant information to verify, before placing any orders, that the information being relied upon is current. Sensata assumes no responsibility for infringement of patents or rights of others based on Sensata applications assistance or product specifications since Sensata does not possess full access concerning the use or application of customers' products. Sensata also assumes no responsibility for customers' product designs.