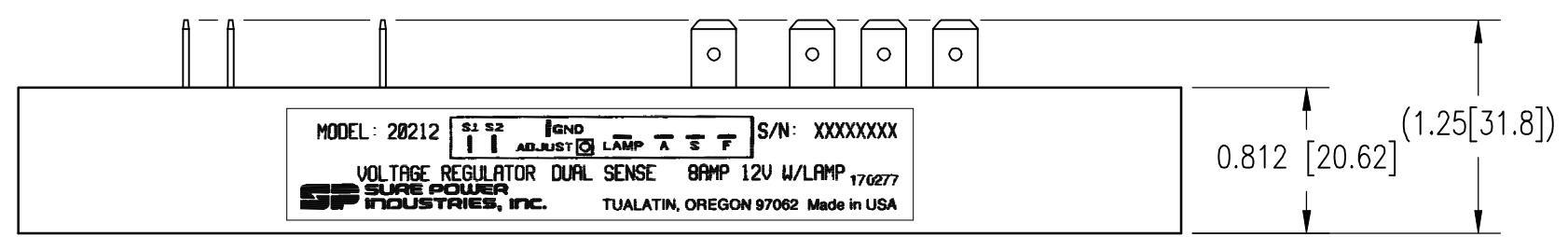
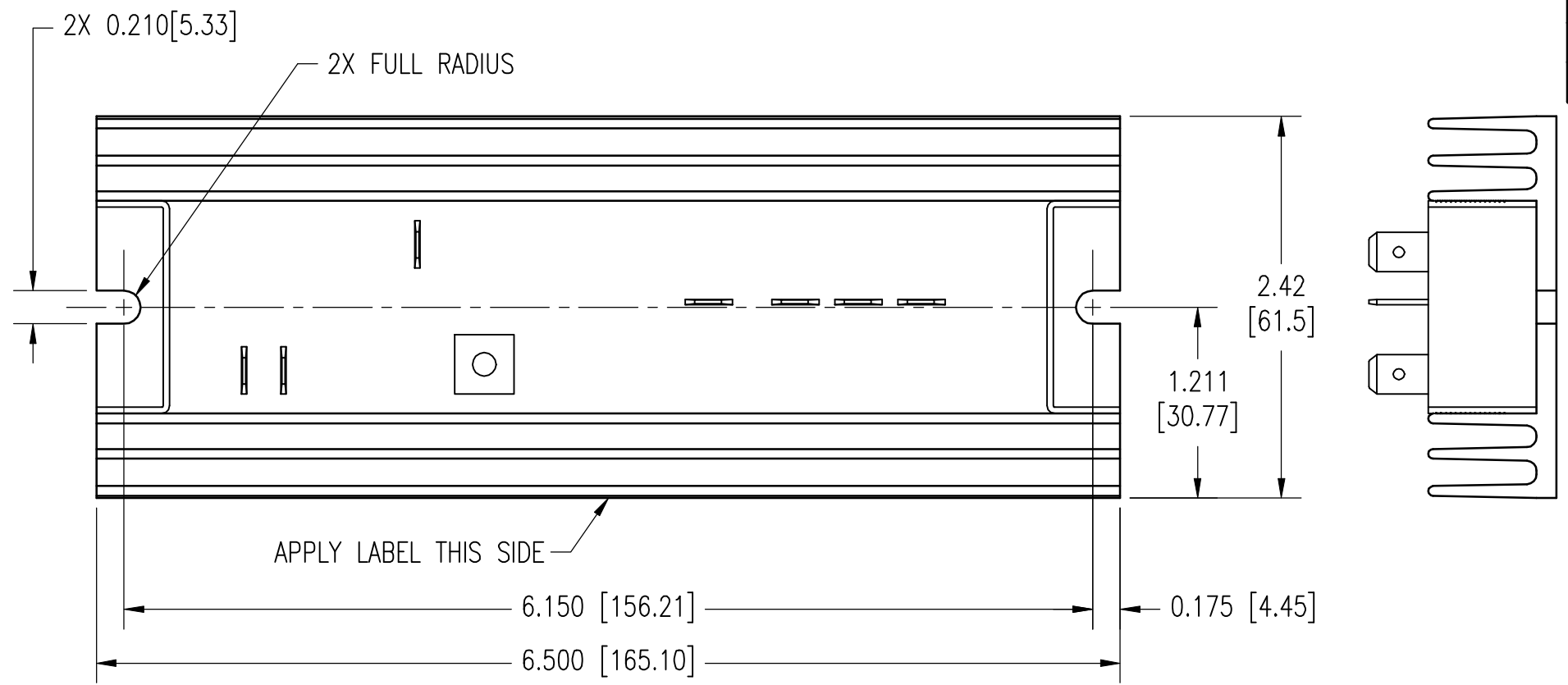


REVISIONS				
REV	ECO	DESCRIPTION	DATE	BY
A	797	PRODUCTION RELEASE	9/5/91	GF
B	1219	ADD LABEL APPLICATION	4/13/95	MS
C	1693	PCB CHANGE, CHANGE HS FROM 6.0 TO 6.5	4/13/95	MS
D	2550	ADDITION OF OVERVOLTAGE MODIFICATION	5/26/98	GF
E	2886	SHOW LABEL; CHANGE TERMINAL POSITION		



SPECIFICATIONS	
MODEL NO:	20212
DESCRIPTION:	12V ALTERNATOR REGULATOR WITH LAMP DRIVER AND DUAL SENSE
SYSTEM OPERATION:	
VOLTAGE:	12V NOMINAL
MAX. CURRENT:	8 AMP FIELD CURRENT
OPERATION TEMP:	-40°F TO +200°F
INSULATION TO GROUND:	500V 60 HZ AC MIN.
GROUND TYPE:	NEGATIVE
FINISH:	BLACK ANODIZED TO WITHSTAND 336 HR SALT SPRAY PER LATEST REVISION OF ASTM B117

UNLESS OTHERWISE SPECIFIED  
DIMENSIONS ARE IN INCHES [MM]  
TOLERANCES ARE:  
.XX ± 0.10 [ .X ± 2.5 ]  
.XXX ± 0.030 [ .XX ± 0.76 ]  
∠ ± 2°  
DO NOT SCALE THIS DRAWING

APPROVALS	DATE
DRAWN GF	7/24/91
ENGR	
APPR	

<b>TITLE</b> MODEL:20212 REG,8A,12V,ADJ,W/LAMP DRIVER DUAL SENSE SPECIFICATION/OUTLINE			
SIZE	CAGE CODE NO.	DWG NO.	REV
B	55156	20212	E
SCALE: 1/1		FILE: 20212E1	SHEET 1 OF 1