

CONFIDENTIAL

The information contained in this document is the property of EATON. It is not for public disclosure. Possession of the information does not convey any right to loan, sell or disclose the information. Unauthorized reproduction or use of the information is prohibited. This document is to be returned to EATON upon completion of the purposes for which it is loaned or upon request.

REVISIONS

PLANT DIST CODE(S): U

REV	DESCRIPTION	DATE	BY
001	PRODUCTION RELEASE	10/18/04	BF
002	REFORMAT TITLE BLOCK - REFINE LABEL DET ON LAST TWO PAGES	03/06/08	BF
003	12025X00 POTTING CONVERSION . REMOVE ALL REFERENCES TO 12040X00 PRODUCT. ECN BU-U14047	02/18/2014	KP

Product Specification

12025E00 EQUALIZER AND 12025C00 CONVERTER, 12V TO 24V FAMILY



**UNLESS OTHERWISE SPECIFIED
DIMENSIONS ARE IN INCHES [MM]**
 TOLERANCES ARE: .XX ± .10 [X.X ± 2.5]
 .XXX ± .030 [X.XX ± 0.76]
 INTERPRET GEOMETRIC DIMENSIONS AND
 TOLERANCING PER ASME Y14.5-1994
 DRAWINGS IN THIS DOCUMENT ARE NOT TO SCALE



Powering Business Worldwide

TITLE

**MODEL NO: 12025X00
12V TO 24V DC TO DC
CONVERTER / EQUALIZER
SPECIFICATION OUTLINE**

APPROVALS	DATE
DRAWN BY DSR	09/21/04

PROJECT ENG APPROVAL	
ENG MANAGER APPROVAL	
PRODUCT MANAGER APPROVAL	

SIZE	PLANT OF ORIGIN	DRAWING NO.	REV
A	U	12025X00	003

SCALE: NONE	FILE: 12025X00-003	SHEET 1 OF 9
--------------------	--------------------	----------------------------

COPYRIGHT - EATON.

This is an unpublished work. The disclosure of this work is limited to select personnel. Further dissemination or disclosure to the public is PROHIBITED. This unpublished work is protected by Federal Copyright law and all rights there under are reserved by EATON.

General Description

This Sure Power product is designed to provide 12V to 24V power conversion for heavy duty applications.

The equalizers provide equalization for dual battery systems where the charging system is 12V.

Features

- Under and Over Voltage Protection
- Reverse Voltage Protection
- Voltage Transient Protection
- Over load and Short Circuit Protection
- Thermal Overload Shutdown
- Equalization Status Indicator
- Protected from the Elements
- Ignition Turn On
- Output Voltage Shift Pin (equalizers only)

Part Number / Ordering Information


<u>Sure Power Part Number</u>	<u>Output Current</u>	<u>Equalizer / Converter</u>
12025E00	25 Amps	Equalizer
12025C00	25 Amps	Converter

Theory of Operation

The 12025X00 Sure Power family of equalizers and converters are designed to step up the input voltage in order to achieve the appropriate output voltage. To reduce quiescent current, the converter / equalizer is enabled through an ignition terminal.

The equalizers monitor the input voltage at the terminals and provide an output that is twice the input. On equalizers, an output voltage shift terminal is available to aid in optimizing charging systems. This terminal also serves as an ignition pin. When power is applied to the voltage shift terminal, the output voltage is increased. At 13.5V input, the output will increase 0.9V above the normal $2 \times V_{in}$ value. The amount of increase is input voltage dependent. Please refer to graph for other voltages.

The converters provide a fixed output to power 24V loads directly from a 12V source.

 <i>Powering Business Worldwide</i>			
SIZE A	PLANT OF ORIGIN U	DRAWING NO. 12025X00	REV 003
SCALE: NONE	FILE: 12025X00-003	SHEET 2 OF 9	

Description of Features

Included are a number of protection and added features.

PROTECTION FEATURES:

Reversal of the input polarity is protected with MOSFETs in series with the ground.

Reversal of the output polarity is protected with MOSFETs in series with the output connection.

A Metal Oxide Varistor circuit is used to protect the input from load dump and inductive transients.

Input under-voltage and over-voltage conditions cause the unit to safely turn off.

Description of Features (cont.)

Short circuit and current limiting protection is supplied by monitoring the output current. Detection of a short circuit or overload turns the output off. The unit then cycles the output on every 1.5 seconds to determine if the short circuit has been removed. Upon removal of this condition the output voltage will return to its normal state.


Thermal protection is provided by monitoring the heatsink temperature. Detection of extreme temperature shuts the unit off. When the heatsink cools approximately 15°C the unit will automatically turn back on.

Loss of ground protection ensures no damage occurs to the unit.

Unit is protected against all miswiring conditions with the exception of the condition where: Unit GND is connected to system +12V, Unit +12V is connected to system +24V, Unit +24V is connected to GND, and Unit IGN is connected to system +24V.

STATUS INDICATOR:

An LED status indicator is provided to denote when the unit is producing current. As the batteries become equalized the equalizer current will approach 0 amps, and the LED indicator will diminish in intensity and eventually go dark. In converters, as the output current approaches zero the LED will go dark.

 <i>Powering Business Worldwide</i>			
SIZE	PLANT OF ORIGIN	DRAWING NO.	REV
A	U	12025X00	003
SCALE: NONE	FILE: 12025X00-003	SHEET 3 OF 9	

ELECTRICAL SPECIFICATIONS

ABSOLUTE MAXIMUM RATINGS:

Maximum ratings establish the maximum electrical rating to which the unit may be subjected without damage.

Parameter	Value	Notes:
Standoff Voltage	36V	Note 1
Reverse Polarity	-26V	Note 2
Output Current	25A	
Heat Sink Temperature	100°C	Note 4
Operating Temperature Range	-40°C - 85°C	Note 3
Storage Temperature Range	-55°C - 105°C	

Notes:

1. This is maximum voltage applied between INPUT and GND that the unit will standoff without causing damage to the unit.
2. This is the maximum reverse voltage that may be applied between INPUT and GND, or between OUTPUT and GND.
3. Units can be operated up to 85°C at a reduced output current. Reference "Output Current vs Ambient Temperature Chart".
4. The unit generates a significant amount of heat (as shown in the ELECTRICAL CHARACTERISTICS section). When determining a mounting location it is important to account for this heat. Adequate ventilation must be provided.



SIZE A	PLANT OF ORIGIN U	DRAWING NO. 12025X00	REV 003
SCALE: NONE		FILE: 12025X00-003	SHEET 4 OF 9

ELECTRICAL CHARACTERISTICS

Unless otherwise stated, conditions apply to full temperature range and full input voltage range.

Characteristic	MIN	TYP	MAX	Unit	Notes:
Input Under Voltage Turn ON	8	9.5	10	V	
Input Under Voltage Hysteresis		0.5		V	
Input Over Voltage Turn OFF (Equalizers)	16	16.5	17	V	Voltage on INPUT that causes the equalizer to turn off.
Input Over Voltage Turn OFF (Converters)	15	15.5	16	V	Voltage on INPUT that causes the converter to turn off.
Input Over Voltage Hysteresis		0.4		V	
Quiescent Current IGN off			1	mA	Current draw from the INPUT with IGN off. $V_{IN} = 12V$
Quiescent Current IGN on		55		mA	Current draw from the INPUT with no load attached to OUTPUT. $V_{IN} = 14V$
Output Voltage (Equalizers)	$V_{IN} * 2 - 1\%$	$V_{IN} * 2$	$V_{IN} * 2 + 1\%$	V	
Output Voltage (Converters)	23.5	24.0	24.5	V	
Output Offset Voltage		0.9		V	Equalizers only. With $V_{in} = 13.5V$; refer to graph for other voltages.
Current Limit	25	29		A	
Over-Temp Limit		105		°C	The trip point for over-temp shutdown
Over-Temp Hysteresis		15		°C	

ELECTROMAGNETIC COMPATIBILITY:

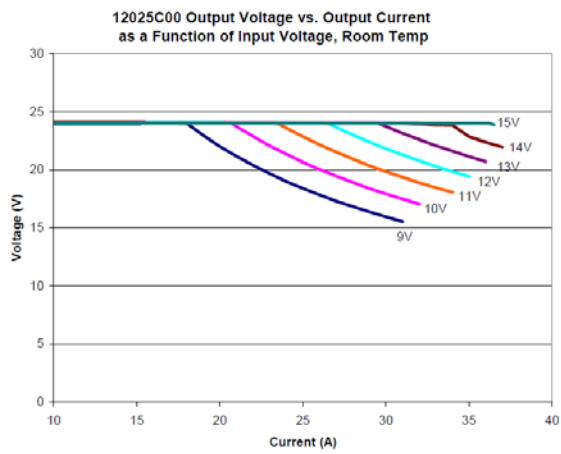
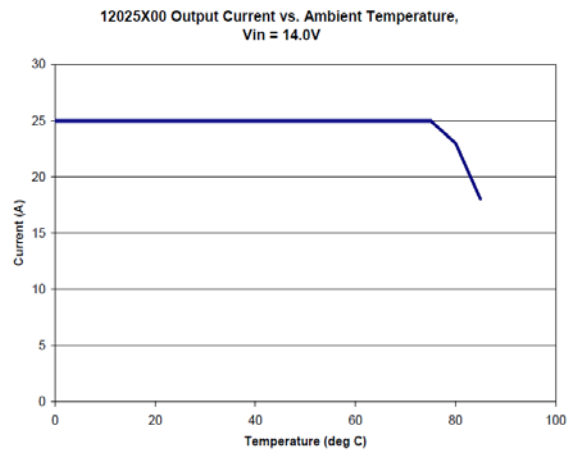
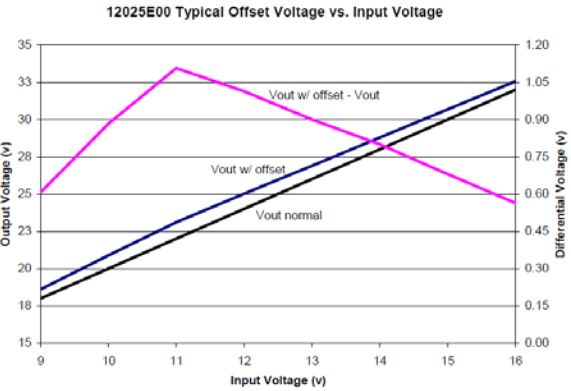
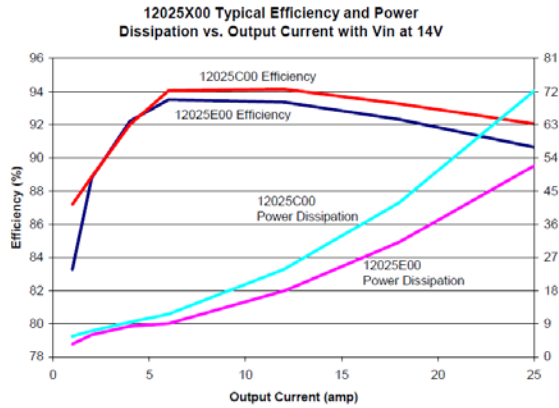
Transient Immunity Tests	Level	Notes:
Load Dump	$14 + 86e^{1/(0.4)}$	IAW with SAE J1455 Rev 8/94 Section 4.11.2.2, Table 4a.
Inductive Switching Kick	$14 \pm 600e^{1/(0.001)}$	IAW with SAE J1455 Rev 8/94 Section 4.11.2.2, Table 4a.
Mutual Inductance	$14 \pm 300e^{1/(0.000015)}$	IAW with SAE J1455 Rev 8/94 Section 4.11.2.2, Table 4a.

Electrostatic Discharge Immunity	Level	Notes:
In Vehicle ESD	± 8 kV direct ± 15 kV air	Ref. SAE J1113/13 Rev 2/95, Class C utilizing a 330pF / 2000ohm discharge network.
Package and Handling ESD	± 8 kV direct ± 15 kV air	IAW with SAE J1455 Rev 8/94 Section 4.11.2.2.5.1 / SAE J551/15 Rev 5/95 utilizing a 150pF/150ohm discharge network

Emissions Testing	Level	Notes:
Radiated; 30MFz - 1 GHz	Per Spec	Certified to UN Regulation ECE R 10.02 Also reference ISO 13766, EN 13309



SIZE A	PLANT OF ORIGIN U	DRAWING NO. 12025X00	REV 003
SCALE: NONE		FILE: 12025X00-003	SHEET 5 OF 9



SIZE A	PLANT OF ORIGIN U	DRAWING NO. 12025X00	REV 003
SCALE: NONE		FILE: 12025X00-003	SHEET 6 OF 9

ENVIRONMENTAL SPECIFICATIONS

Parameter	Value	Notes:
Thermal Shock		per SAE J1455 Section 4.1, Rev 8/94
Thermal Cycle		
Humidity	0 – 100 %RH	per SAE J1455, Section 4.2.3, Rev 8/94 See Note 1
Splash		per SAE J1455 Section 4.4, Rev 8/94 Splash only See Note 1
Pressure Wash		per SAE J1455 Section 4.5, Rev 8/94 See Note 1
Dust Bombardment	0.88 g/m ³	per SAE J1455 Section 4.7, Rev 8/94 See Note 1
Salt Spray	96 Hrs	per SAE J1455 Section 4.3, Rev 8/94 See Note 1
Altitude	12000 ft	per SAE J1455 Section 4.8. Rev 8/94 See Note 1
Mechanical Vibration		per SAE J1455 Section 4.9 and Appendix A, Category 2, Rev 8/94 See Note 1
Handling Shock	Will Show Damage	per SAE J1455 Section 4.10, Rev 8/94

Note 1: Prolonged exposure during operational use can result in compromised environmental sealing. Mount the equalizer/converter in a dry, well-ventilated area with no exposure to water spray, splash, runoff or immersion. Failure to do so may void warranty.



SIZE A	PLANT OF ORIGIN U	DRAWING NO. 12025X00	REV 003
SCALE: NONE		FILE: 12025X00-003	SHEET 7 OF 9

CONNECTION DIAGRAMS

The unit has three connections and a choice of one or two signal connections. The aluminum chassis is isolated and can be grounded or ungrounded.

UNIT CONNECTIONS:

+24V: This terminal is connected to the +24V side of the battery stack for equalizers. For converters this terminal is connected to the 24V loads.

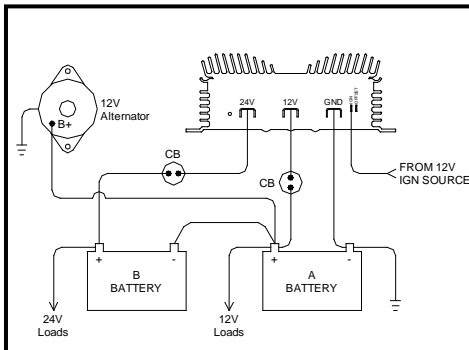
GND: This is the terminal for grounding the unit. All internal operating currents are returned to this terminal.

+12V: This terminal is connected to the +12V terminal of the battery stack.

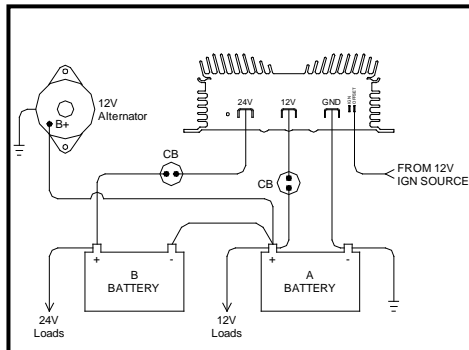
IGN: This connection enables and disables the unit. When voltage is applied to the ignition terminal, the unit turns on.

OFFSET (Equalizers ONLY): This connection also enables and disables the unit. Applying the unit power to this connection increases the output voltage between 0.6 to 1.4V – input voltage dependent, refer to graph.

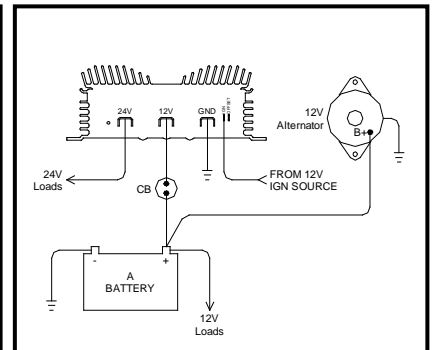
Typical Equalizer Connection with "IGN" Source



Typical Equalizer Connection with "OFFSET" Source



Typical Converter Connection



SIZE A	PLANT OF ORIGIN U	DRAWING NO. 12025X00	REV 003
SCALE: NONE		FILE: 12025X00-003	SHEET 8 OF 9

MECHANICAL SPECIFICATIONS

The unit utilizes three channel shaped bus bars for making power connections. Each bus bar is equipped with an M8 hex head bolt. The bolt head is captured within the channel and the channel prevents rotation of the head when tightening the nut. The control connections are made via ¼" male tabs.

Finish: Black Anodized Aluminum

Terminals: 0.050 thick C11000 ETP Copper, Bright Tin Plate

Hardware Included: Bolts – 3X, M8x20mm Hex Head, Tin Plated Steel

Nuts – 3X, M8 Hex, Tin Plated Steel

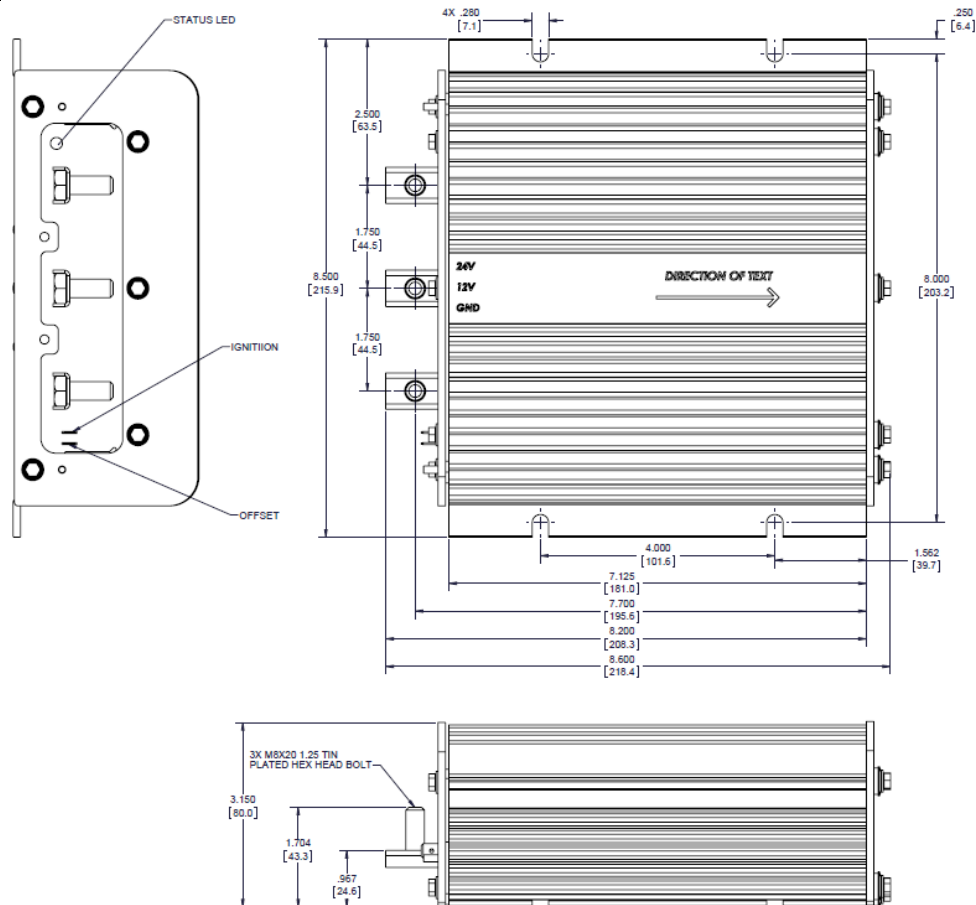
Lock Washers – 3X, M8, Tin Plated Steel

Maximum Torque: 110 in-lbs

Mounting Slots: 4X - (12025X00), Accepts M6 or ¼" Hardware (not included)

Weight: 9lbs / 4.1kg – 12025X00

Unit Dimensions – 12025X00 (12025E00 pictured)



Note: Offset terminal only visible on equalizers. Product labels will dictate converter or equalizer and will coincide with the model number.



SIZE A	PLANT OF ORIGIN U	DRAWING NO. 12025X00	REV 003
SCALE: NONE		FILE: 12025X00-003	SHEET 9 OF 9